

# General Performance EMC/EMI Filter with Earth Line Choke



- Rated currents up to 15 A
- Excellent performance/size ratio
- Integrated earth line choke
- Complies with IEC/EN 60601-1
- Snap-in versions (S and S1 type)
- Optional wide mounting flanges



## Approvals & Compliances



(CQC except HI-types)

The FN 9222 E IEC inlet filter combines an IEC inlet and mains filter with excellent filter attenuation in a small form factor and integrated earth line choke. Choosing the FN 9222 E product line brings you the rapid availability of a standard filter associated with the necessary safety acceptances. Standard IEC connector filters are a practical solution helping you to pass EMI system approval in a short time. A wide selection on amperage ratings, output connections, mounting possibilities and filters for medical applications are designed to offer you the desired solution.

## Technical Specifications

<b>Maximum continuous operating voltage</b>	250 VAC, 50/60 Hz
<b>Operating frequency</b>	dc to 400 Hz DC to 400 Hz
<b>Rated currents</b>	1 to 15 A @ 50°C max.
<b>Approvals by rated current</b>	1 to 10 A (ENEC, CQC) 1 to 15 A (UL, CSA)
<b>High potential test voltage</b>	P → PE 2000 VAC for 2 sec (standard types) P → PE 2500 VAC for 2 sec (B types) P → N 1000 VAC for 2 sec
<b>Protection category</b>	IP 40 according to IEC 60529
<b>Temperature range (operation and storage)</b>	-25°C to +85°C (25/85/21)
<b>Design corresponding to</b>	UL 1283, CSA 22.2 No. 8 1986, IEC/EN 60939
<b>Flammability corresponding to</b>	UL 94 V-2 or better
<b>MTBF @ 40°C/230 V (Mil-HB-217F)</b>	1,610,000 hours

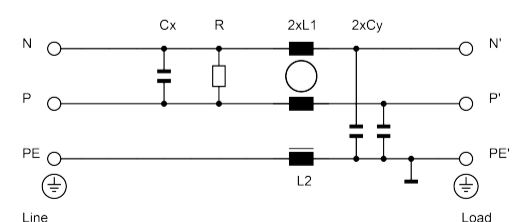
## Features and Benefits

- Exceptional conducted attenuation performance, based on chokes with high saturation resistance and excellent thermal behavior
- Rear/front or snap-in mounting
- FN 9222 B versions comply with the requirements of 1MOP acc. to IEC/EN 60601-1 for creepage and clearance, leakage current and high potential testing
- Wide mounting flanges available
- Different output connections offering maximum flexibility for assembly
- Without earth line choke see FN 9222 data sheet
- Custom-specific versions are available on request

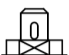
## Typical Applications

- Portable electrical and electronic equipment
- Small to medium-sized machines and household equipment
- Single-phase power supplies, switch-mode power supplies
- Test and measurement equipment
- Medical equipment
- Rack mounting equipment

## Typical electrical schematic



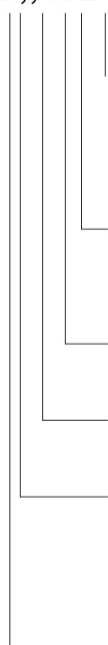
### Filter Selection Table





Filter	Rated current @ 50°C (5 °C)  [A]	Leakage current* @ 250 VAC/50 Hz (@ 120 VAC/60 Hz)  [mA]	Inductance		Capacitance		Resistance R  [kΩ]	Output connections  	Weight  [g]
			L1 [mH]	L2 [mH]	Cx [μF]	Cy [nF]			
FN9222Ex-1-06	1 (1.2)	0.31 (0.18)	12	0.4	0.1	2.2		-06	46
FN9222Ex-3-06	3 (3.5)	0.31 (0.18)	2.5	0.4	0.1	2.2		-06	46
FN9222Ex-6-06	6 (7.2)	0.31 (0.18)	0.78	0.4	0.1	2.2		-06	46
FN9222Ex-8-06	8 (10.6)	0.31 (0.18)	0.5	0.4	0.1	2.2		-06	46
FN9222Ex-10-06	10 (11.6)	0.31 (0.18)	0.225	0.1	0.1	2.2		-06	46
FN9222Ex-12-06	12 (12)	0.31 (0.18)	0.11	0.1	0.1	2.2		-06	46
FN9222Ex-15-06	15 (15)	0.31 (0.18)	0.075	0.1	0.1	2.2		-06	46
FN9222Ex-12-06HI	12 (12)	0.31 (0.18)	0.11	0.1	0.1	2.2		-06	46
FN9222Ex-15-06HI	15 (15)	0.31 (0.18)	0.075	0.1	0.1	2.2		-06	46
FN9222ExR-1-06	1 (1.2)	0.31 (0.18)	12	0.4	0.1	2.2	1000	-06	46
FN9222ExR-3-06	3 (3.5)	0.31 (0.18)	2.5	0.4	0.1	2.2	1000	-06	46
FN9222ExR-6-06	6 (7.2)	0.31 (0.18)	0.78	0.4	0.1	2.2	1000	-06	46
FN9222ExR-8-06	8 (10.6)	0.31 (0.18)	0.5	0.4	0.1	2.2	1000	-06	46
FN9222ExR-10-06	10 (11.6)	0.31 (0.18)	0.225	0.1	0.1	2.2	1000	-06	46
FN9222ExR-12-06	12 (12)	0.31 (0.18)	0.11	0.1	0.1	2.2	1000	-06	46
FN9222ExR-15-06	15 (15)	0.31 (0.18)	0.075	0.1	0.1	2.2	1000	-06	46
FN9222ExR-12-06HI	12 (12)	0.31 (0.18)	0.11	0.1	0.1	2.2	1000	-06	46
FN9222ExR-15-06HI	15 (15)	0.31 (0.18)	0.075	0.1	0.1	2.2	1000	-06	46
FN9222ExB-1-06	1 (1.2)	0.00	12	0.4	0.1		1000	-06	46
FN9222ExB-3-06	3 (3.5)	0.00	2.5	0.4	0.1		1000	-06	46
FN9222ExB-6-06	6 (7.2)	0.00	0.78	0.4	0.1		1000	-06	46
FN9222ExB-8-06	8 (10.6)	0.00	0.5	0.4	0.1		1000	-06	46
FN9222ExB-10-06	10 (11.6)	0.00	0.225	0.1	0.1		1000	-06	46
FN9222ExB-12-06	12 (12)	0.00	0.11	0.1	0.1		1000	-06	46
FN9222ExB-15-06	15 (15)	0.00	0.075	0.1	0.1		1000	-06	46
FN9222ExB-12-06HI	12 (12)	0.00	0.11	0.1	0.1		1000	-06	46
FN9222ExB-15-06HI	15 (15)	0.00	0.075	0.1	0.1		1000	-06	46

\* Leakage current under normal operating conditions (acc. to IEC60939-3). Note: if the neutral line is interrupted, worst case leakage could reach twice this level.

#### Product selector\*\*

FN 9222Exx-yy-..HI-zz

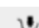
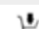


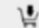



- Snap-in range for S version only
- Blank: Snap-in range 0.7 to 1.5mm
- 20: Snap-in range 1.5 to 2.2mm
- Blank: Standard IEC inlet type C14
- HI: Hot IEC inlet type C16 (12 and 15A types only)
- 06: Faston 6.3 x 0.8mm (spade/soldering)
- 1 to 15: Rated current
- Blank: Standard version
- R: Bleed resistor
- B: Medical version (with bleed resistor and without Y2-capacitor)
-  Blank: Standard housing with mounting flanges
-  U: Housing with wider mounting flanges
-  S: Snap-in version, snapper on vertical side
-  S1: Snap-in version, snapper on horizontal side

#### Distributor Inventory

Check stock levels at global distributors via the QR code



Stock level per types 1 - 15 A	Link
Standard housing types	
Housing with wider mounting flanges (U)	
Snap-in housing types (S&S1)	
Medical versions (B)	
Bleed resistor types (R)	
Surge protection types (UZ)	

\*\*For example: FN 9222 E-15-06, FN 9222 ES1B-10-06-20, FN 9222 EUB-8-06-20

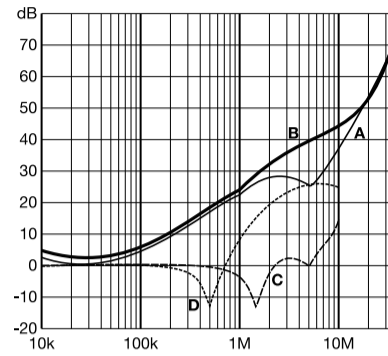
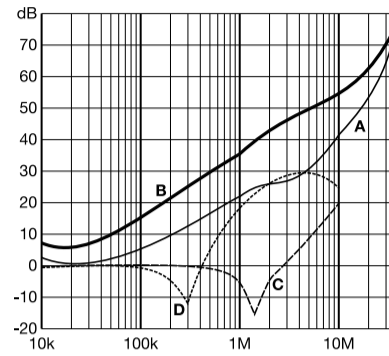
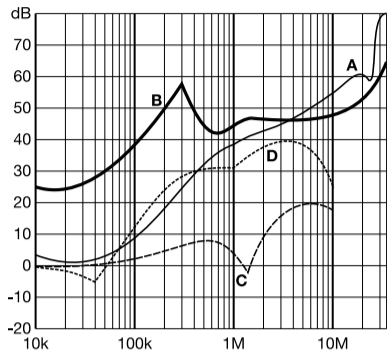
### Typical Filter Attenuation

Per CISPR 17; A=50 Ω/50 Ω sym; B=50 Ω/50 Ω asym; C=0.1 Ω/100 Ω sym; D=100 Ω/0.1 Ω sym

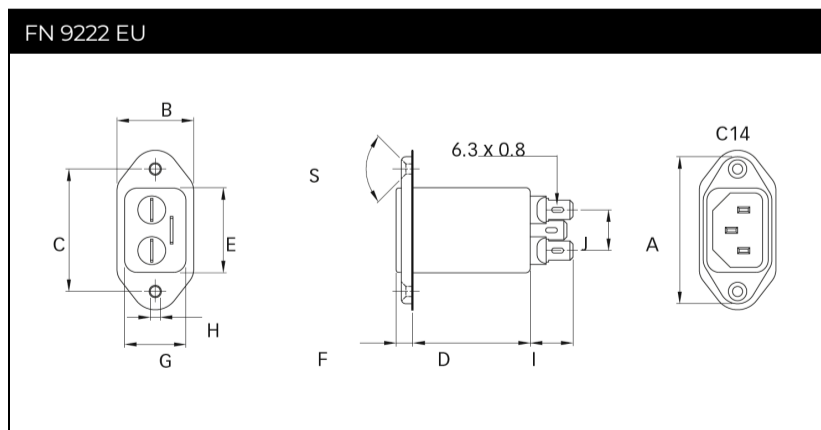
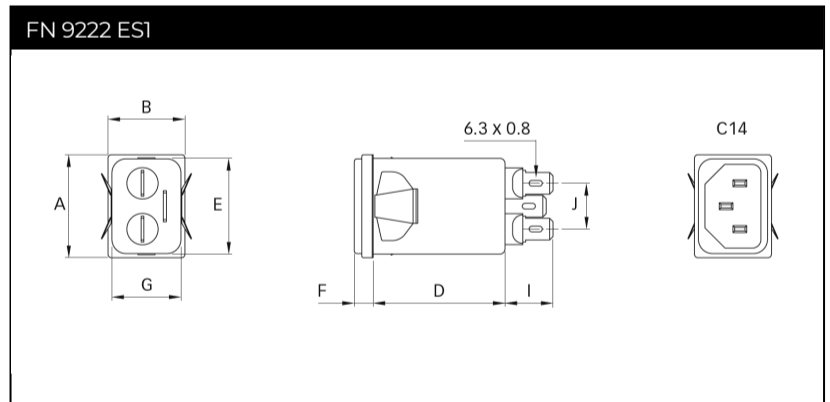
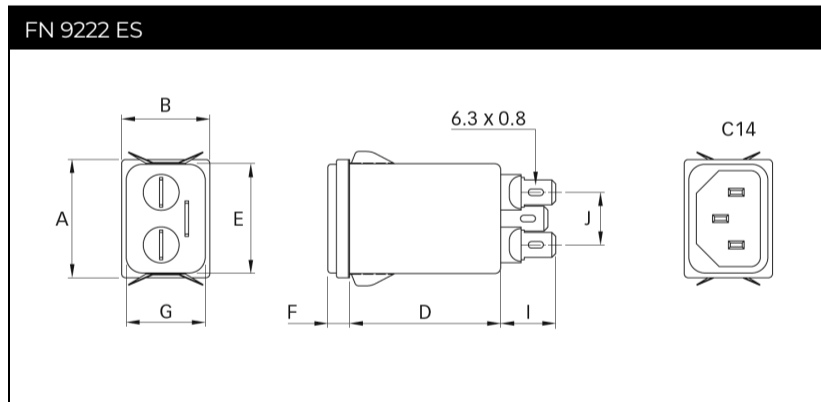
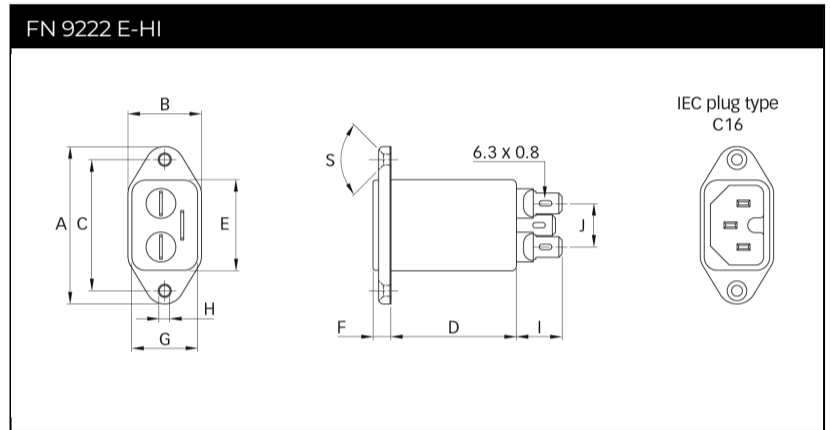
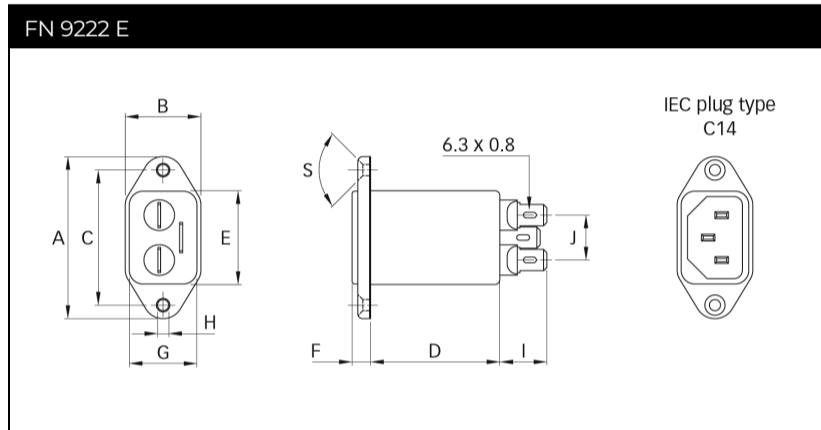
1 and 3 A types

6 to 10 A types

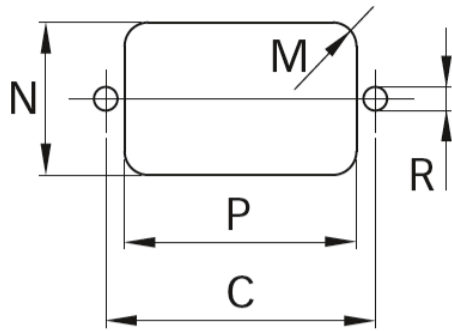
12 and 15 A types



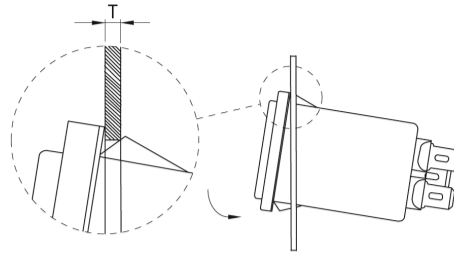
### Mechanical Data



## Panel cut out



## Installation



## Dimensions

	FN 9222 E	FN 9222 EU	FN 9222 ES	FN 9222 ES1	FN 9222 E-HI	Tol.
<b>A</b>	48	48	29.9	29.9	48	
<b>B</b>	22.4	25	22.4	22.4	22.4	
<b>C</b>	40	40			40	±0.2
<b>D</b>	47.1	47.1	47.1	47.1	47.1	
<b>E</b>	27.8	27.7	27.8	27.8	27.8	+0.6/-0
<b>F</b>	5.7	5.7	5.7	5.7	5.7	
<b>G</b>	20.1	20.1	20.1	20.1	20.1	+0.6/-0
<b>H</b>	Ø3.3	Ø3.3			Ø3.3	
<b>I</b>	14	14	14	14	14	
<b>J</b>	13.3	13.3	13.3	13.3	13.3	
<b>M</b>	R ≤3	R ≤3	R ≤1.5	R ≤1.5	R ≤3	
<b>N</b>	21.5	21.5	20.8	21.9	21.5	
<b>P</b>	28.5	28.5	29.4	28.5	28.5	
<b>R*</b>	M3	M3			M3	
<b>S</b>	90°	90°			90°	
<b>T**</b>			0.7 - 1.5	0.7 - 1.5		
<b>T**</b>			1.5 - 2.2	1.5 - 2.2		

\* Recommended torque for M3 (90° countersunk flat head) is 0.5 Nm

\*\* For selecting the panel thickness, please refer to the filter selector table.

All dimensions in mm; 1 inch = 25.4 mm  
Tolerances according to: ISO 2768-m/EN 22768-m

Please visit [www.schaffner.com](http://www.schaffner.com) to find more details on filter connectors.

## Accessories

### Power Cord with angled Locking System C13



- Protects appliances that are vulnerable to vibration
- Connector cannot be accidentally pulled or vibrated out of the inlet
- Space availability/constraints
- Different angles for ease of access
- Space saving
- Release locking mechanism
- Prevents accidental disconnection

[Technical Data Sheet >](#)

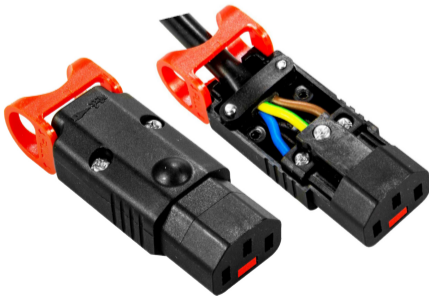
### IL 13P IEC C13 Rewireable Angled Connectors with Locking System



- Protects appliances that are vulnerable to vibration
- Connector cannot be accidentally pulled or vibrated out of the inlet
- Space availability/constraints
- Different angles for ease of access
- Space saving
- Release locking mechanism
- Prevents accidental disconnection

[Technical Data Sheet >](#)

### IL 13P IEC C13 Rewireable Connectors with Locking System



The locking system has a tensile force of typical 300N. It is recommended to use it with flange mount filters. For details refer to our Application Note "Using IEC Lock Power Cords with IEC Inlets and Filters".

Schaffner power connector with IEC lock guard against accidental disconnection of all electrical appliances with an IEC inlet. No exchange or modification of the IEC inlet or IEC inlet filter system is needed. Easy retrofit for all electronic equipments and devices

[Technical Data Sheet >](#)

## Headquarters, Global Innovation and Development

### Switzerland

#### Schaffner Holding AG

Industrie Nord  
Nordstrasse 11e  
4542  
Luterbach  
+41 32 681 66 26  
[info@schaffner.com](mailto:info@schaffner.com)

## Sales and Application Centers

### China

#### Schaffner EMC Ltd. Shanghai

T20-3 C, No 565 Chuangye Road, Pudong district  
201201  
Shanghai  
+86 2138139500  
[cschina@schaffner.com](mailto:cschina@schaffner.com)

### Finland

#### Schaffner Oy

Sauvonrinne 19 H  
8500  
Lohja  
+358 50 468 7284  
[finlandsales@schaffner.com](mailto:finlandsales@schaffner.com)

### France

#### Schaffner EMC S.A.S.

16-20 Rue Louis Rameau  
95875  
Bezons  
+33 1 34 34 30 60  
[francesales@schaffner.com](mailto:francesales@schaffner.com)

### Germany

#### Schaffner Deutschland GmbH

Schoemperlenstrasse 12B  
76185  
Karlsruhe  
+49 721 56910  
[germanysales@schaffner.com](mailto:germanysales@schaffner.com)

### India

#### Schaffner India Pvt. Ltd

Regus World Trade Centre  
WTC, 22nd Floor Unit No 2238, Brigade Gateway Campus, 26/1, Dr. Rajkumar Road Malleshwaram (W)  
560055  
Bangalore  
+91 8067935355  
[indiasales@schaffner.com](mailto:indiasales@schaffner.com)

### Italy

#### Schaffner EMC S.r.l.

Via Ticino, 30  
20900  
Monza (MB)  
+39 039 21 41 070  
[italysales@schaffner.com](mailto:italysales@schaffner.com)

### Japan

#### Schaffner EMC K.K.

ISM Sangenjaya 7F  
1-32-12 Kamiuma, Setagaya-ku  
154-0011  
Tokyo  
+81 3 5712 3650  
[japansales@schaffner.com](mailto:japansales@schaffner.com)

### Singapore

#### Schaffner EMC Pte Ltd.

Blk 3015A Ubi Road 1, #05-09, Kampong Ubi Industrial Estate  
408705  
Singapore  
+65 63773283  
[singaporesales@schaffner.com](mailto:singaporesales@schaffner.com)

### Spain

#### Schaffner EMC España

Calle Caléndula 93, Miniparc III, Edificio E El Soto de Moraleja, Alcobendas  
28109  
Madrid  
+34 917 912 900  
[spainsales@schaffner.com](mailto:spainsales@schaffner.com)

### Sweden

#### Schaffner EMC AB

Östermalmstrorg 1  
114 42  
Stockholm  
+46 8 5050 2425  
[swedensales@schaffner.com](mailto:swedensales@schaffner.com)

### Switzerland

#### Schaffner EMV AG

Industrie Nord  
Nordstrasse 11e  
4542  
Luterbach  
+41 32 681 66 26  
[switzerlandsales@schaffner.com](mailto:switzerlandsales@schaffner.com)

### Taiwan

#### Schaffner EMV Ltd.

U-Town  
20 Floor-2, No 97, Section 1, XinTai 5th Road, XiZhi District  
22175  
New Taipei City  
+886 226975500  
[taiwansales@schaffner.com](mailto:taiwansales@schaffner.com)

### Thailand

#### Schaffner EMC Co. Ltd.

Sathorn Square Tower  
Room 3780, 37FL, 98 North-Sathorn Rd, Silom, Bangrak  
10500  
Bangkok  
+66 621056397  
[thailandsales@schaffner.com](mailto:thailandsales@schaffner.com)

### United Kingdom

#### Schaffner Ltd.

1, Oakmede Place  
Terrace Road  
RG42 4JF  
Binfield  
+44 118 9770070  
[uksales@schaffner.com](mailto:uksales@schaffner.com)

### United States

#### Schaffner EMC Inc.

52 Mayfield Avenue  
Edison, New Jersey  
+1 732 225 9533  
[usasales@schaffner.com](mailto:usasales@schaffner.com)

To find your local partner within Schaffner's global network [schaffner.com](http://schaffner.com)

© 2022 Schaffner Group

The content of this document has been carefully checked and understood. However, neither Schaffner nor its subsidiaries assume any liability whatsoever for any errors or inaccuracies of this document and the consequences thereof. Published specifications are subject to change without notice. Product suitability for any area of application must ultimately be determined by the customer. In all cases, products must never be operated outside their published specifications. Schaffner does not guarantee the availability of all published products. This disclaimer shall be governed by substantive Swiss law and resulting disputes shall be settled by the courts at the place of business of Schaffner Holding AG. Latest publications and a complete disclaimer can be downloaded from the Schaffner website. All trademarks recognized.